



CHANGZHOU WANTAI ELECTRICAL APPLIANCE CO., LTD

<http://www.wantmotor.com>

User Guide for 3 axis TB6560 driver board

Product Features:

- Toshiba TB6560AHQ chip - High power, maximum 3.5A drive current chipset
- 1-1/16 microstep setting - Higher accuracy and smoother operation than standard 1, 1/2 step
- Adjustable drive current settings for each axis - 25%,50%,75%,100% of full current can be set for different stepper motors
- Overload, over-current and over-temperature safety - Full protection for your computer and peripheral equipment
- On board current switching - Power output can be set according to specific user requirement
- Full closed-type optical isolation to protect the user's computer and equipment
- Relay spindle interface - Outputs Max. 36V 7.5A for spindle motors or coolant pump (only one device can be powered by this output!)
- 4 channel inputs interface- Can be used for XYZ limit and emergency stop
- Professional design - Two stage signal processing with super anti-jamming
- Bipolar constant current chopper drive with non-resonant region - Controls motors smoothly through range without creep effect
- Four control inputs (divided into pairs of knives) - Allows setting of limit and emergency stop
- Universal architecture - Supports most parallel software MACH3, KCAM4, EMC2 etc!

Dip settings:

Current Setting	1	2	Decay Mode Settings	3	4	MicroStep Settings	5	6
100%	ON	ON	FAST	ON	ON	1	ON	ON

75%	OFF	ON	25%	ON	OFF	1/2	ON	OFF
50%	ON	OFF	50%	OFF	ON	1/8	OFF	OFF
25%	OFF	OFF	SLOW	OFF	OFF	1/16	OFF	ON

* Important Notes:

- Power supply DC 12-36V (*not included*)

*Voltage Selection:

12-16V DC power supply for Nema 17 stepper motors

16-24V DC power supply for Nema 23 stepper motors

24-36V DC power supply for Nema 34 stepper motors

(High voltage will burn up the chips or stepper motors!!!)

*Amperage Selection:

Output current of the power supply can be calculated by the following expressions:

*Output current = Rated current of your stepper motors * quantity + 2A*

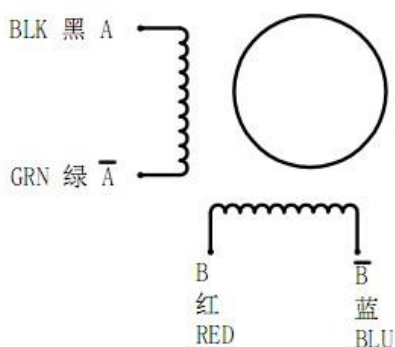
*(For example, if you want to drive 3 * 3A Nema 23 stepper motors, theoretically 24V 11A DC power supply is recommended, but higher power such as 24V 15A also will be good.*

If you are not sure about the selection of power supply, please feel free to contact us for help)

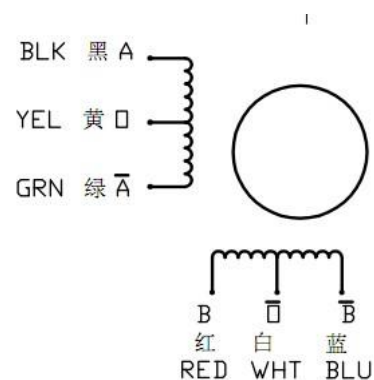
- The power output of 12V shall be applied to the radiator fan of 12V
- Driver output compatible with 2 or 4 phase, 4, 6 or 8 lead stepper motors, 3A max.
- Suitable for unipolar or bipolar stepper motors.
- Voltage regulated spindle speed controlled by parallel interface as function of supply voltage.

Wiring Diagram:

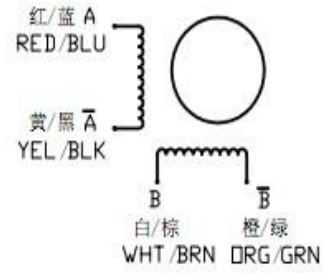
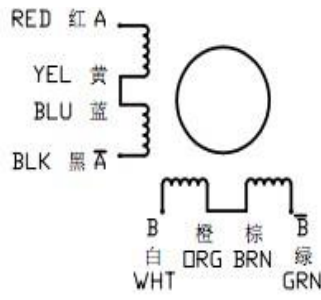
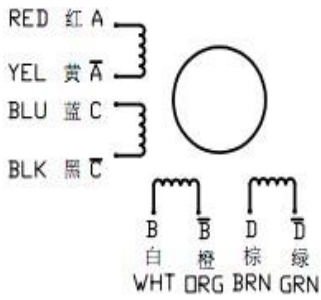
4-lead wire



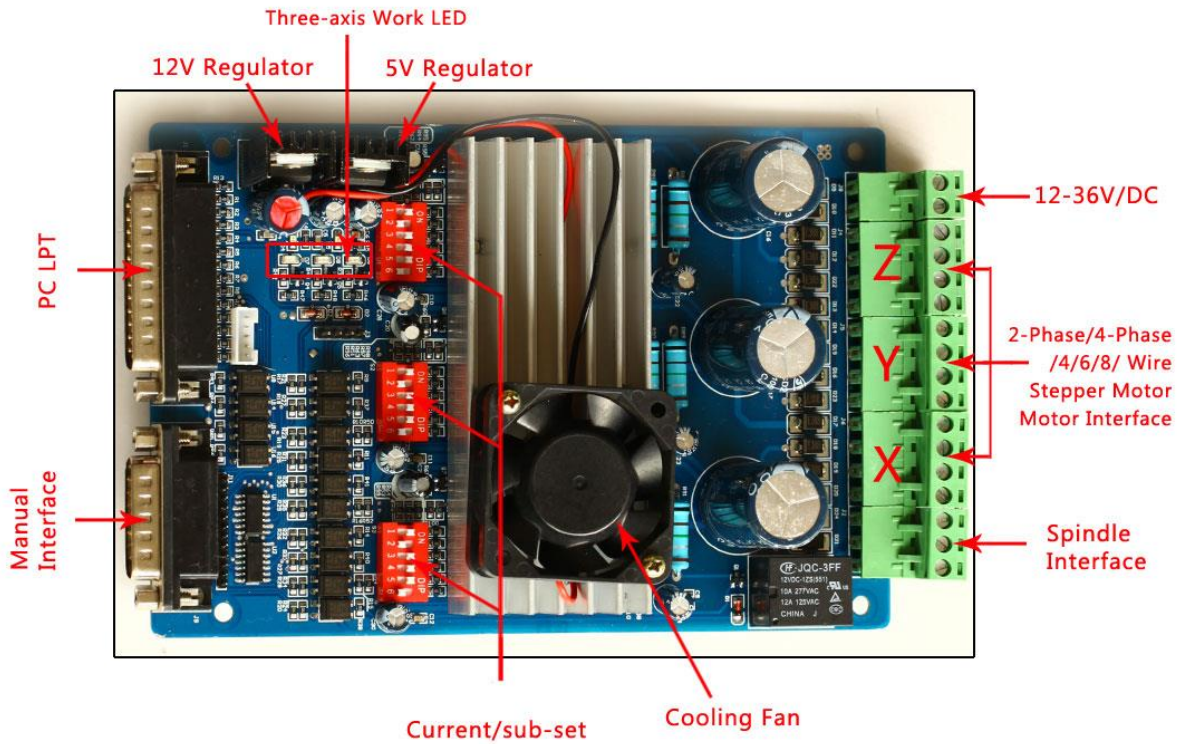
6-lead wire



8- lead wire



Simple introductions:



The definition of 1-PIN 25 of Parallel Interface:

PIN9	PIN14	PIN7	PIN1	PIN2	PIN3	PIN8	PIN6	PIN4	PIN5	PIN16	PIN17
spindle motor	X Enable	X Dir	X Step	Y Enable	Y Dir	Y Step	Z Enable	Z Dir	Z Step	Expand output 1	Expand output2

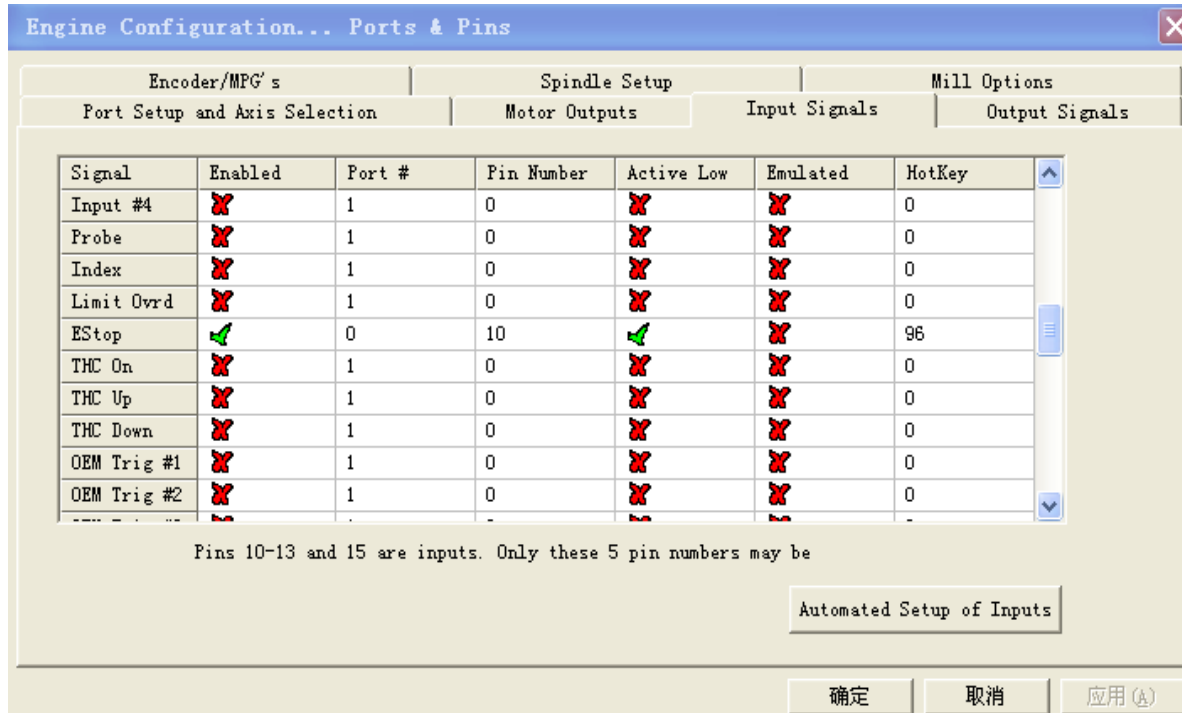
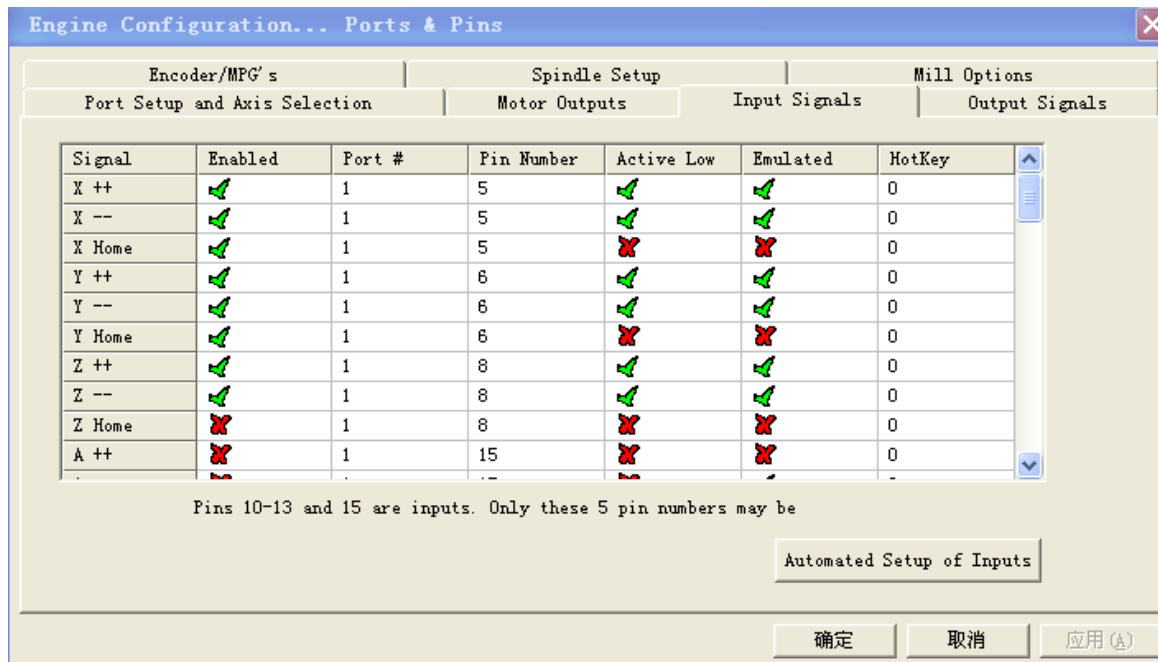
The definition of 1-PIN15 of Manual Interface:

P1	P2	P3	P4	P5	P6	P7	P8	P9	P10	P11	P12	P13	P14	P15
X Step	X Enable	Spindle Motor	X Dir	Y Enable	Z Dir	Z Step	Z Enable	Y Limit	Z Limit	Y Dir	Y Step	STOP	GND	5v/VDD

The definition of 4 channel inputs interface:

Input 1	Input 2	Input 3	Input 4
Corresponding P10	Corresponding P11	Corresponding P12	Corresponding P13

Limit setting for reference:



The definition of output Interface:

P1	P2	P3	P4	P5	P6	P7	P8	P9	P10	P11	P12	P13	P14	P15	P16	P17
VD	GN	XA	XA-	XB	XB-	YA+	YA-	YB	YB-	ZA+	ZA-	ZB+	ZB-	MO	GN	MO
D	D	+		+				+						/V+	D	-

Instructions of MACH3

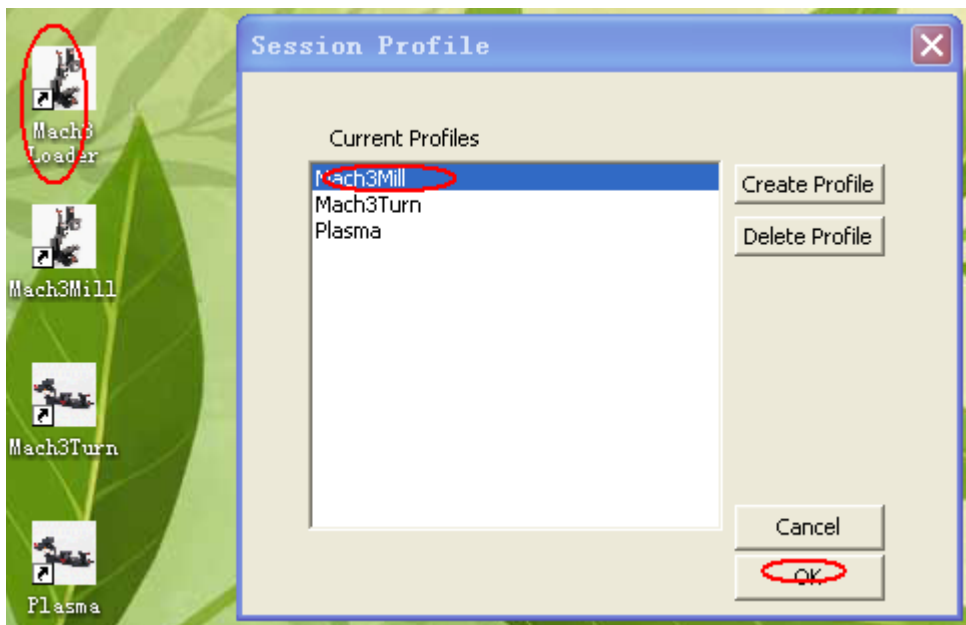


Fig.1

Open *MACH3* software, select *mach3MILL*, and then click *OK*. Please refer to Fig.1

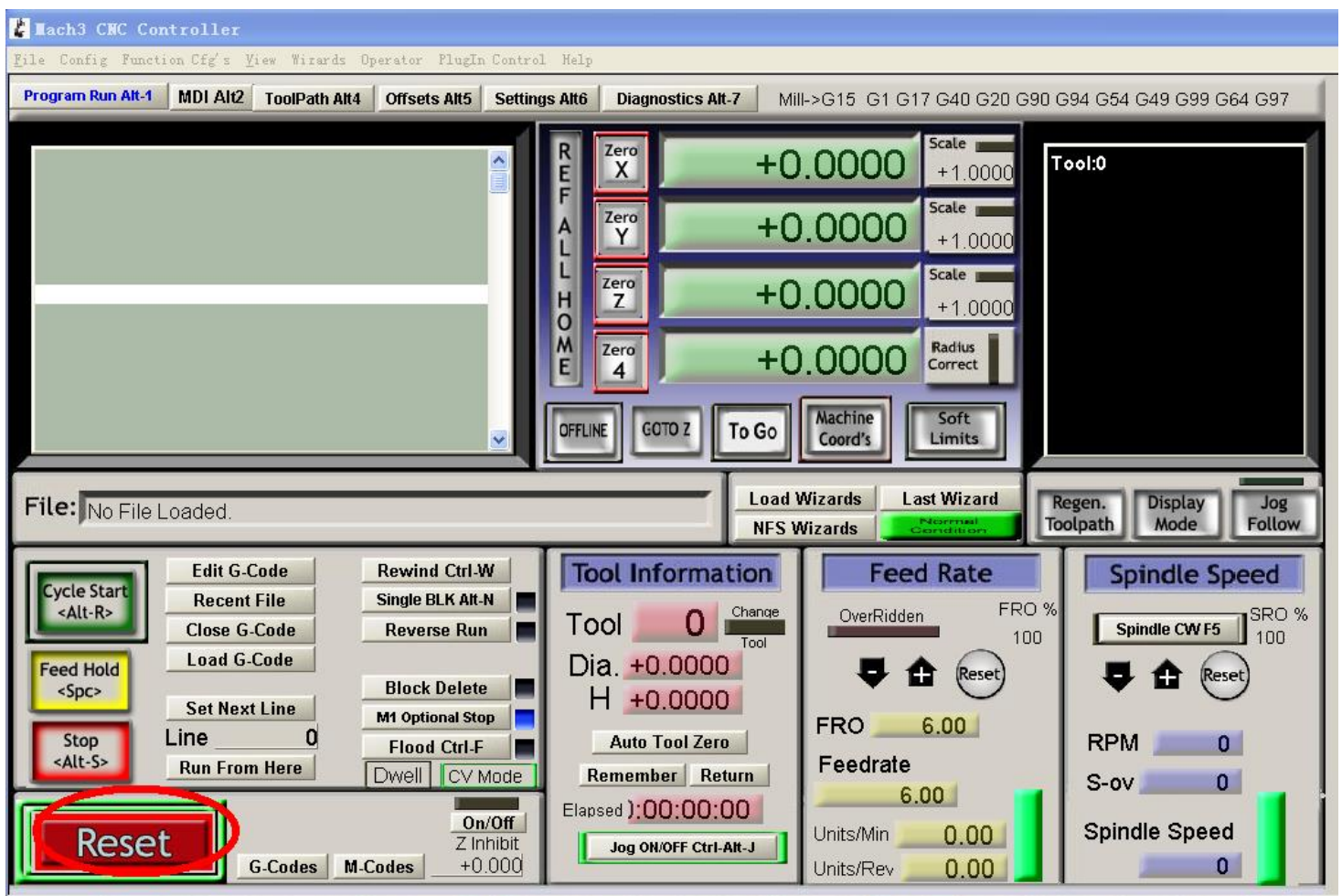


Fig.2

The interface of *MACH3* is displayed as Fig.2. The frequently-used action buttons are listed on the interface. We can configure *MACH* software at first.

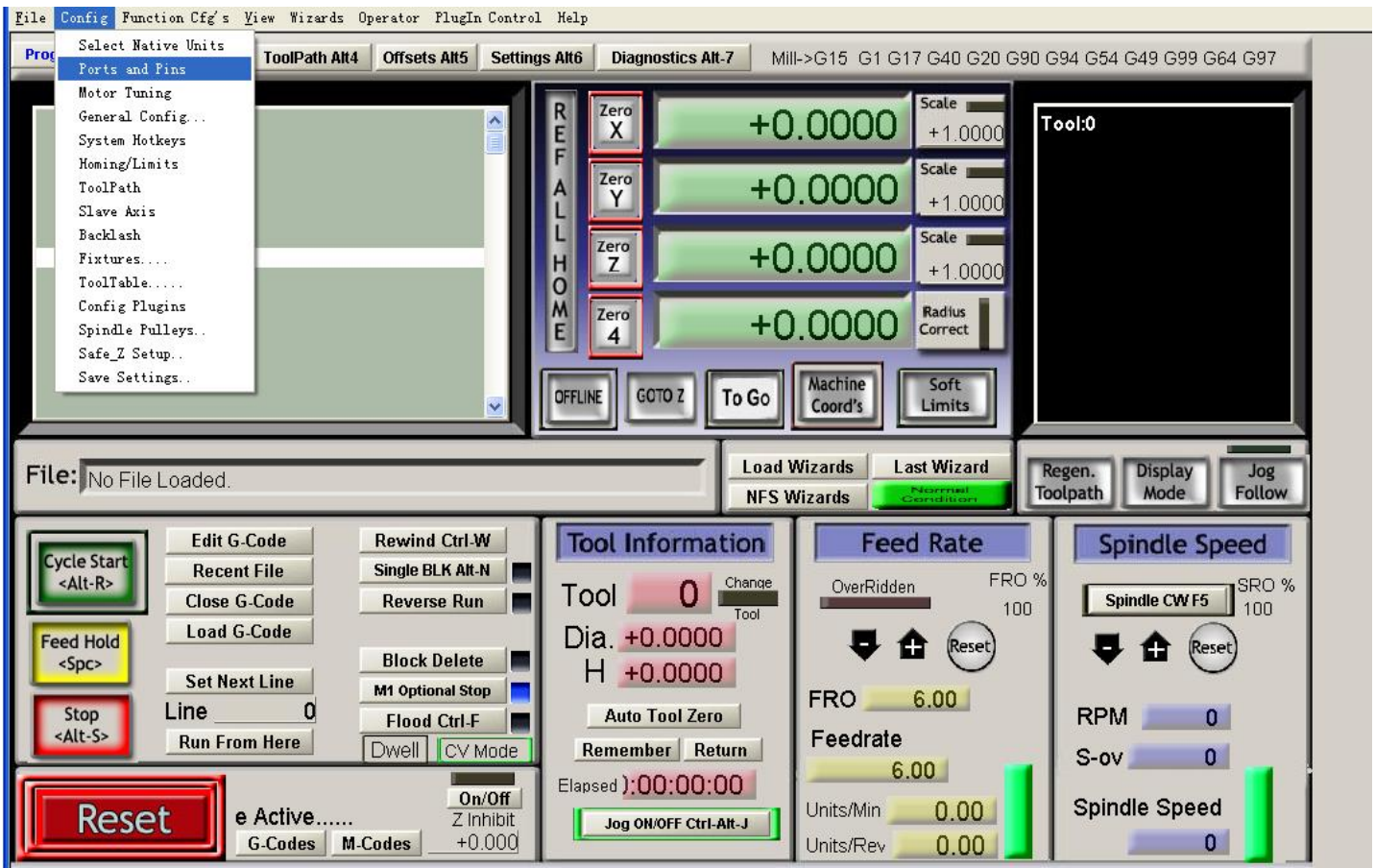


Fig.3

Click *PORT & PIN* sub-menu of *config* menu. Please refer to Fig.3.

Please refer to Fig.4

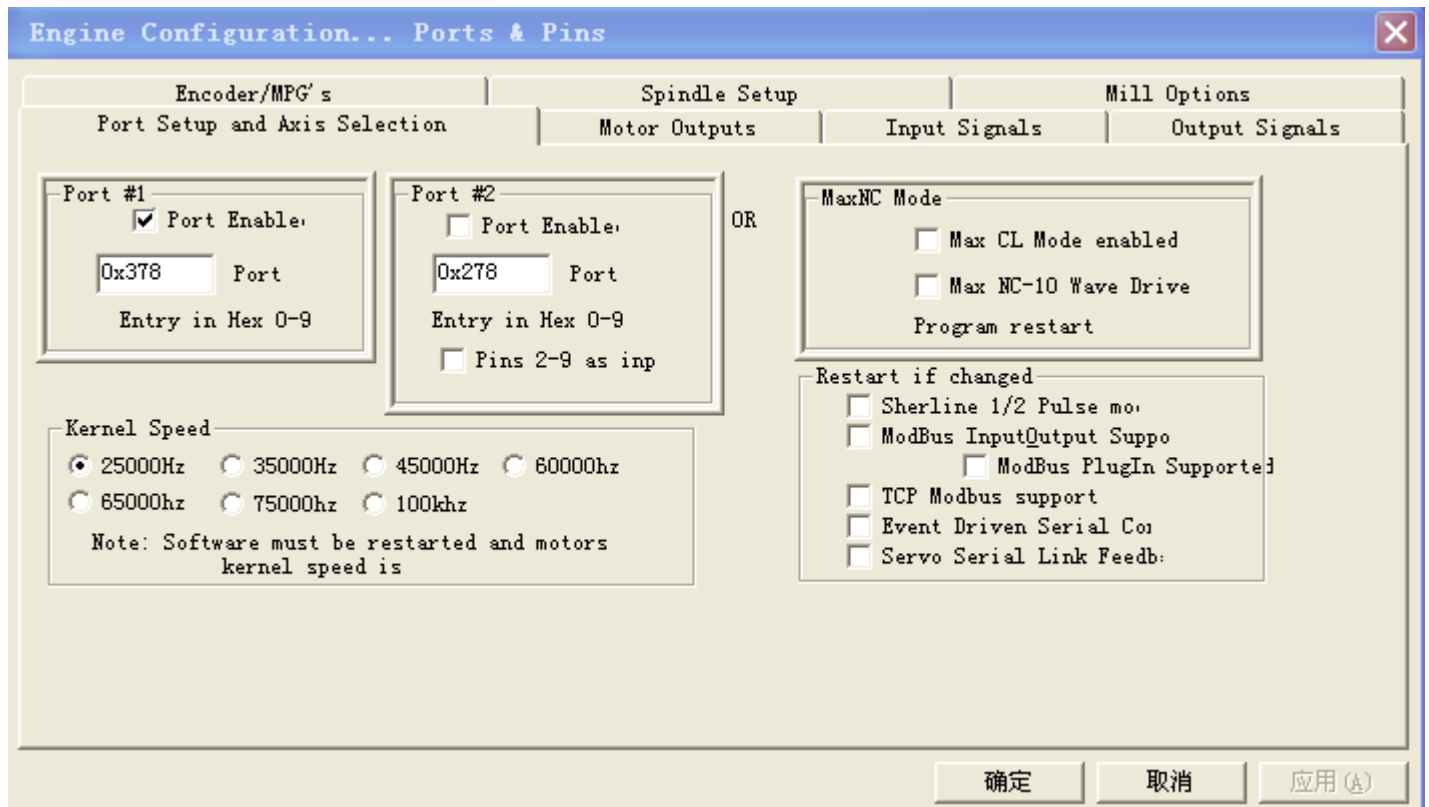


Fig.4

To set up the basic frequency within the above Circle 1. This parameter will affect the rotational speed of the motor. After the setup of basic frequency, select Circle 2 where *Configuration Scripting* will be defined, please refer to Fig.5.

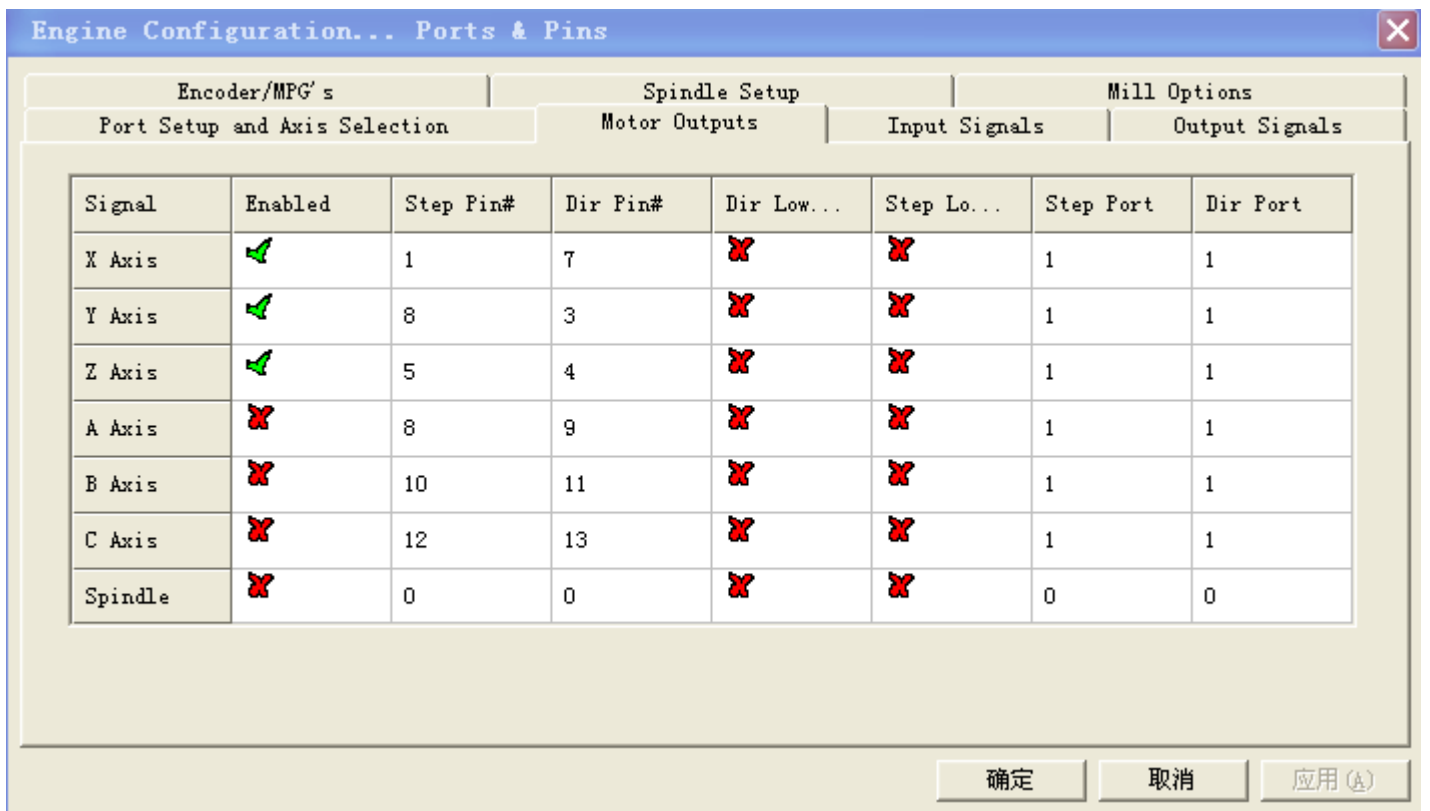


Fig.5

To modify the software settings according to the definition of Parallel Interface which is detailed in the above circle.



Fig.6

Then select the *output signals* column, as shown in Fig.6, and set up the corresponding items per the setup described in the circle.

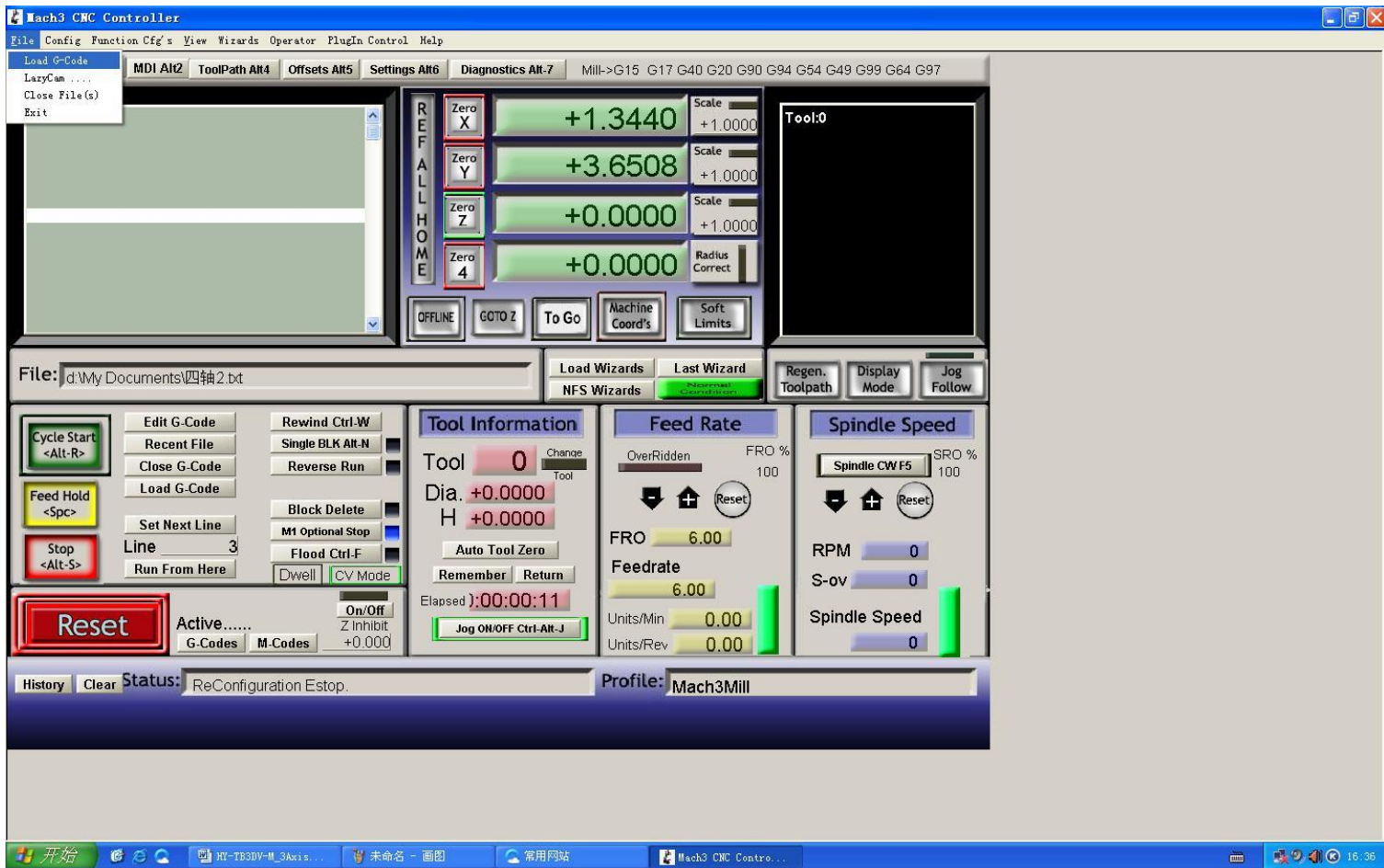


Fig.7

After all have been set up, open the G CODE that needs to run, as shown in Fig.7

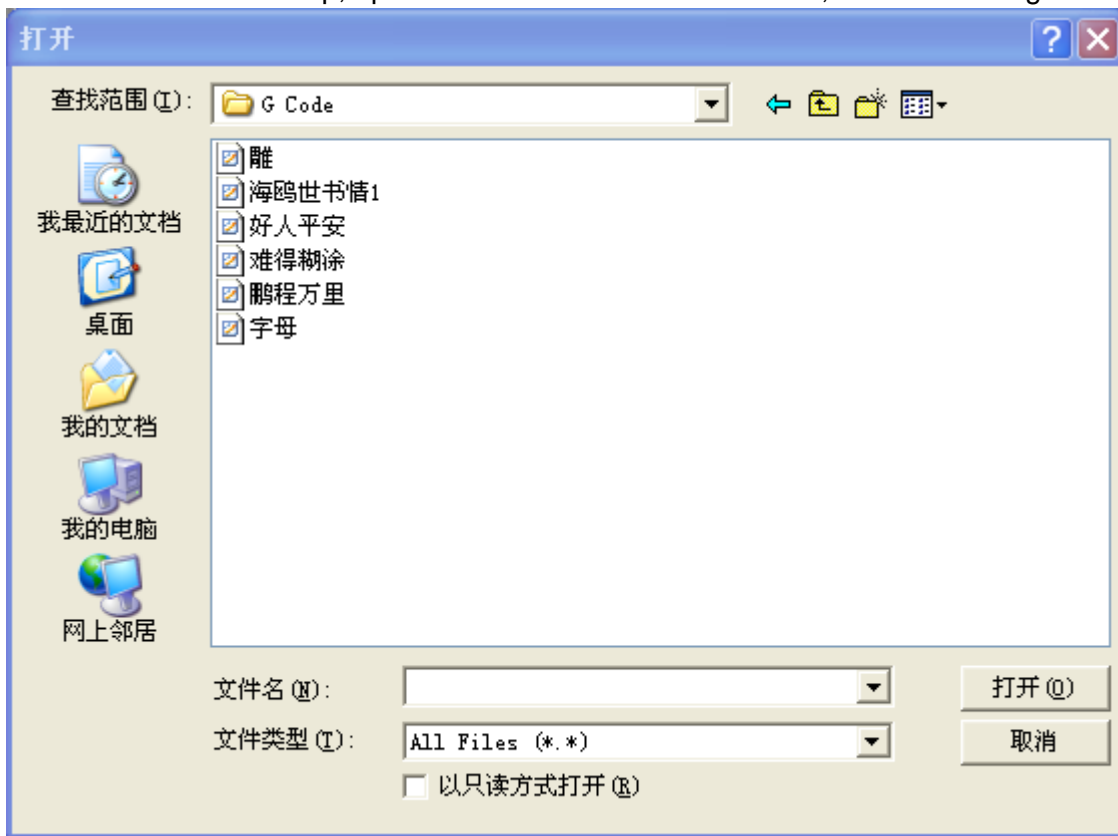


Fig.8

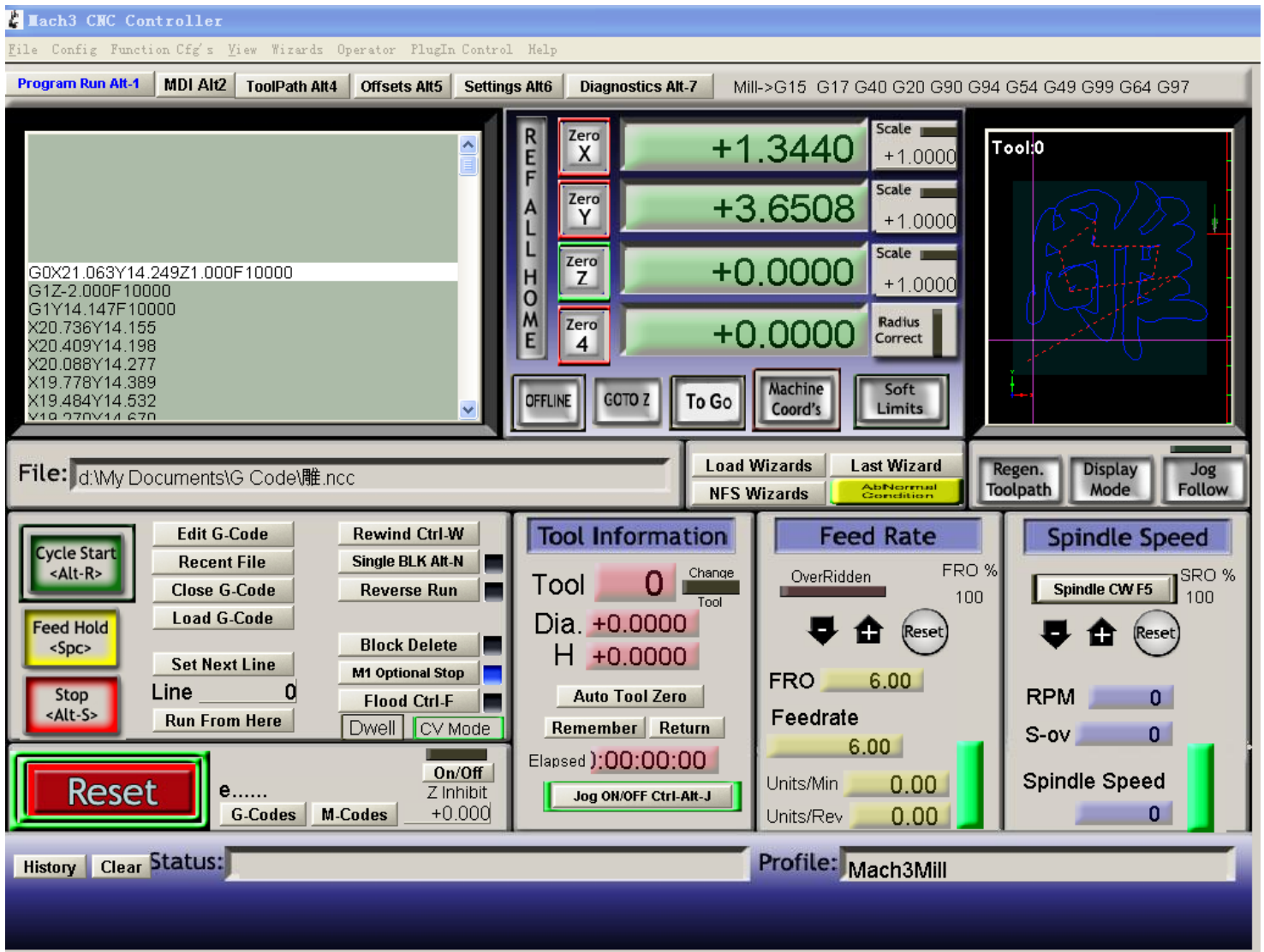


Fig.9

After G CODE has been opened, you may see the red button RESET flashing. Click RESET to stop the flashing and then press CYCLESTART at the location of Circle 2

*Simple solutions if the driver does not work properly:

- Please double check the software settings according to the Fig.5 and Fig.6
- Please confirm the parallel cable has been plugged tightly
- Please turn off the power supply before changing dip settings
- Please use stable high quality DC power supply for this driver
- Problems in Mach3 using, Please refer to the Mach 3 User Manual
- If problem persist, please feel free to contact us!